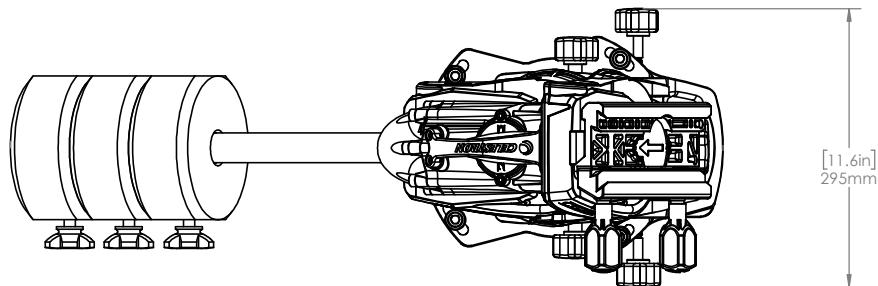
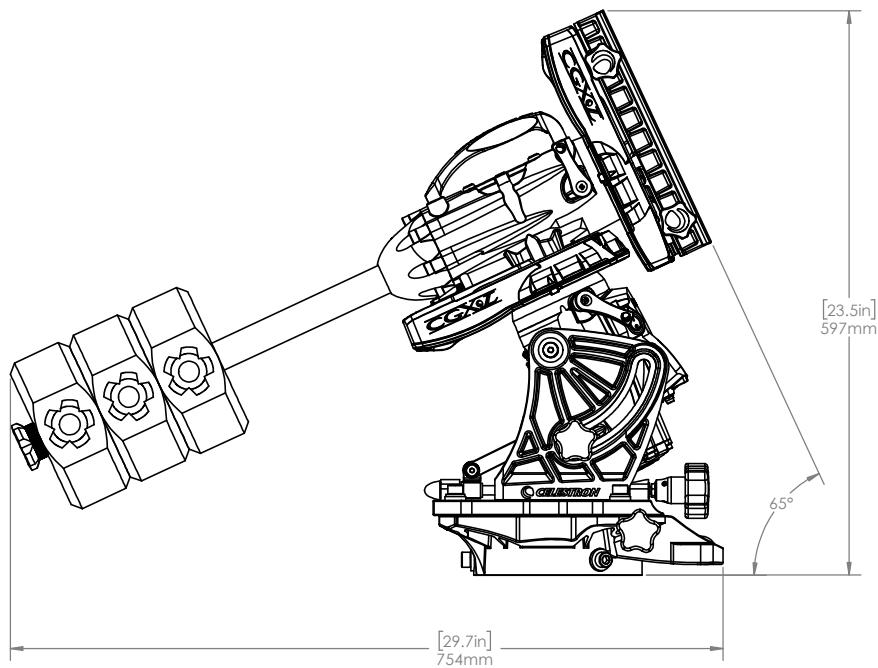
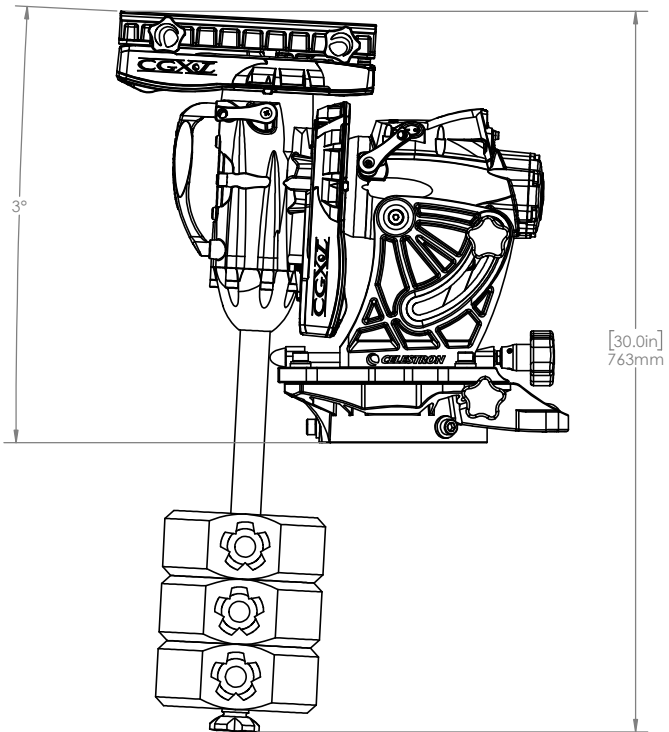


3° Latitude



65° Latitude



PROPRIETARY AND CONFIDENTIAL
 THE INFORMATION CONTAINED IN THIS DRAWING IS THE SOLE PROPERTY OF CELESTRON, LLC. ANY REPRODUCTION IN PART OR AS A WHOLE WITHOUT THE WRITTEN PERMISSION OF CELESTRON, LLC IS PROHIBITED.

UNLESS OTHERWISE SPECIFIED:		NAME	DATE
DIMENSIONS ARE IN MILLIMETER		DRAWN	02/23/22
TOLERANCES:		WM	
FRACTIONAL	±	CHECKED	
ANGULAR	MACH	ENG APPR.	
TWO PLACE DECIMAL	±0.20	MFG APPR.	
THREE PLACE DECIMAL	±0.005	Q.A.	
INTERPRET GEOMETRIC TOLERANCING PER:		COMMENTS:	
MATERIAL:			
FINISH:			
DO NOT SCALE DRAWING			

CELESTRON 2835 Columbia St.
 Torrance, CA 90503

TITLE:		
CGX-L Mount		
SIZE	DWG. NO.	REV
C	ATLDX1000_Rev6	
SCALE: 1:8	WEIGHT:	SHEET 1 OF 1