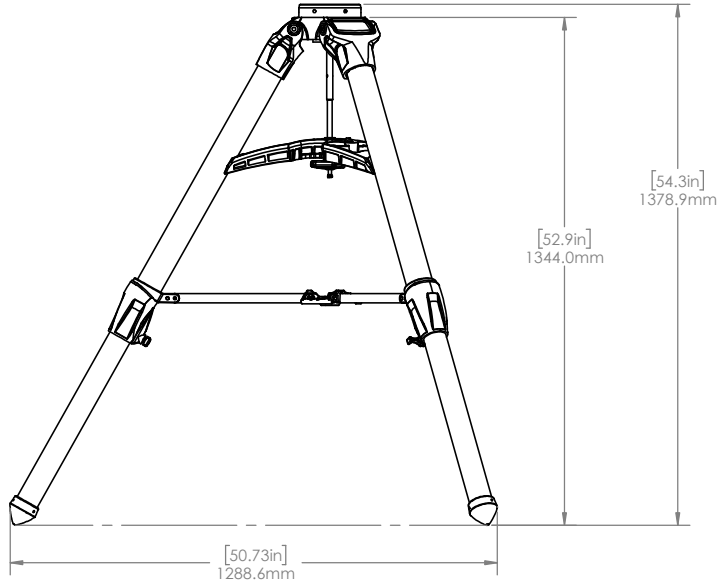
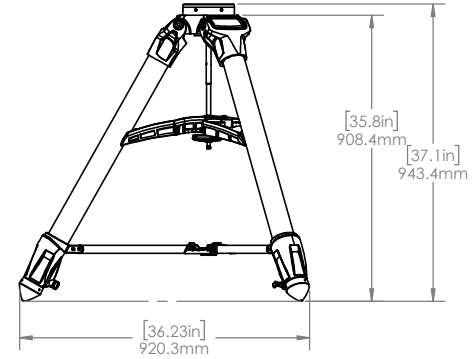


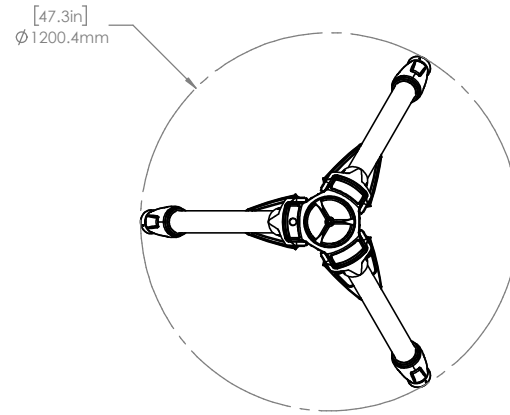
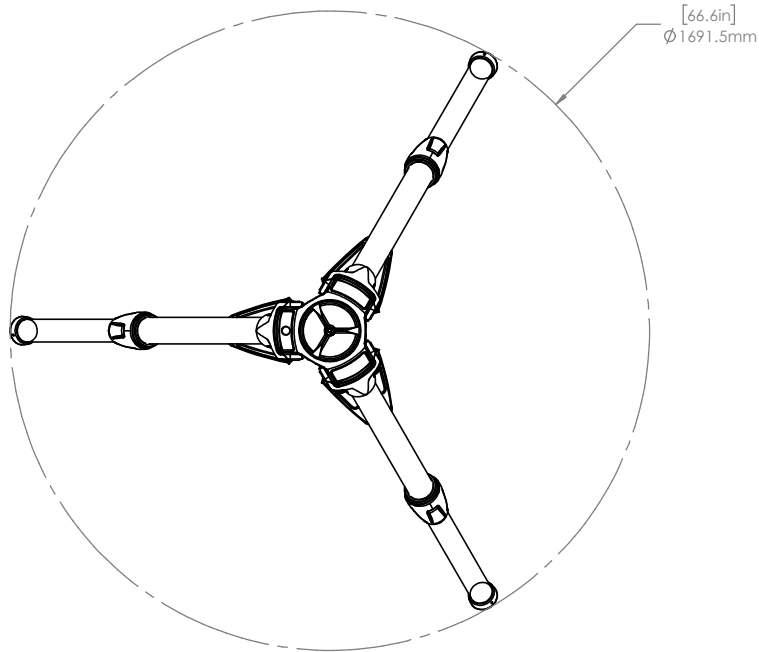
Note:
Overall height and footprint of the tripod will vary by the setup processes and environment.



Tripod legs are fully extended.



Tripod legs are fully retracted.



PROPRIETARY AND CONFIDENTIAL
THE INFORMATION CONTAINED IN THIS DRAWING IS THE SOLE PROPERTY OF CELESTRON, LLC. ANY REPRODUCTION IN PART OR AS A WHOLE WITHOUT THE WRITTEN PERMISSION OF CELESTRON, LLC IS PROHIBITED.

UNLESS OTHERWISE SPECIFIED:	NAME	DATE
DIMENSIONS ARE IN MILLIMETER	WM	02/23/21
TOLERANCES:	CHECKED	
FRACTIONAL: ±	ENG APPR.	
ANGULAR: MACH: ±0.50	MFG APPR.	
TWO PLACE DECIMAL: ±0.2	Q.A.	
THREE PLACE DECIMAL: ±0.005	COMMENTS:	
INTERPRET GEOMETRIC TOLERANCING PER:		
MATERIAL:		
FINISH:		
DO NOT SCALE DRAWING		

CELESTRON 2835 Columbia St.
Torrance, CA 90503

TITLE:
L-Tripod Assembly

SIZE	DWG. NO.	REV
C	ATLDX1600_Rev3	
SCALE: 1:12	WEIGHT:	SHEET 1 OF 1